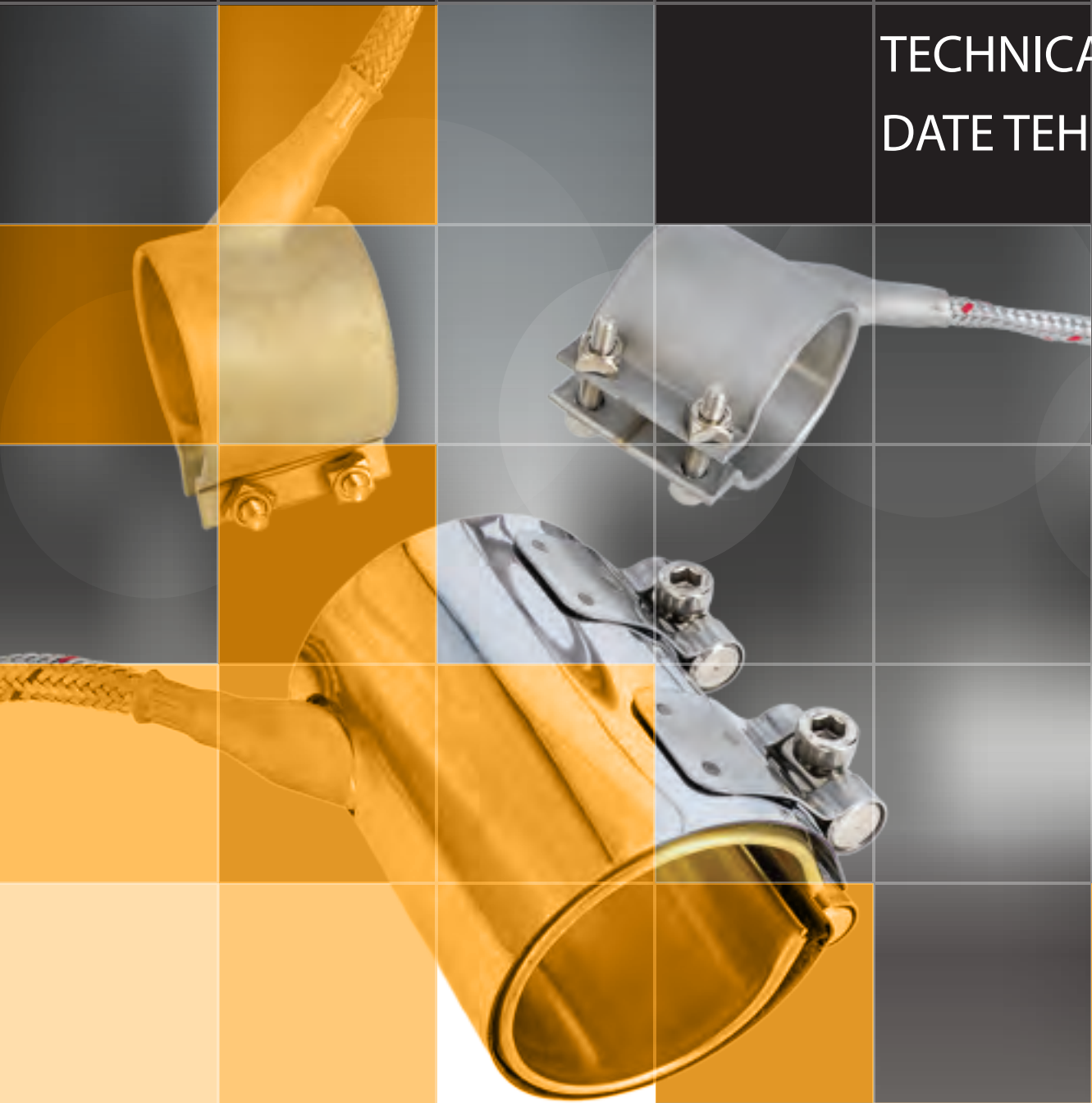


TECHNICAL DATA
DATE TEHNICE



NOZZLE BAND HEATERS
REZISTENTE BANDA DUZE

CALDOR
INDUSTRIAL HEATING SYSTEMS

NOZZLE BAND HEATERS REZISTENTA BANDA DUZE

TYPES / TIPURI

CALDUZBR Nozzle Band Heater Brass
Rezistentă Duza Alama

CALDUZIN Nozzle Band Heater Inox
Rezistentă Duza Inox

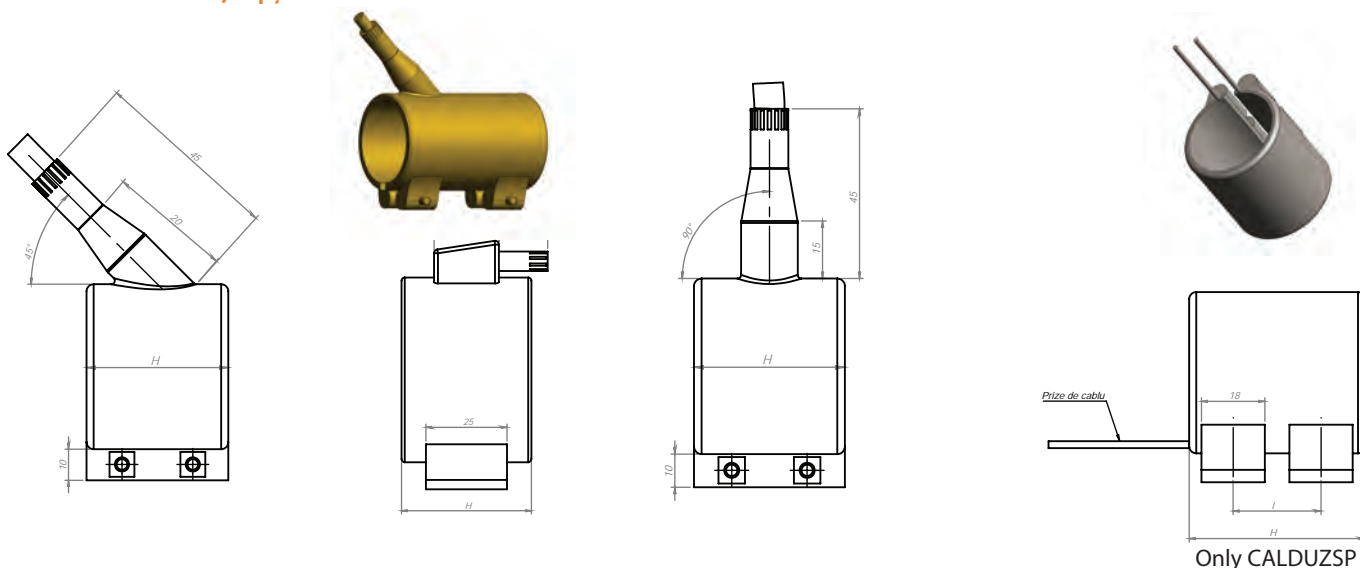
CALDUZCE High Performans Ceramic Nozzle Band Heater
Rezistentă Duza Ceramic

CALDUZNHB Nozzle Band Heaters NHB
Rezistentă Duza tensionare din oțel inoxidabil

CALDUZSP Nozzle Band Heaters copor
Rezistentă Duza cu iesire longitudinală a firelor

| | CALDUZIN | CALDUZBR | CALDUZCE | CALDUZNHB | CALDUZSP |
|------------------------------|-----------------------------------|----------|------------------------|------------------------|------------------------|
| Material | INOX | BRASS | INOX | BRASS | COPER |
| Separate clamp band | Stainless steel | | | | |
| Wall thickness | ~3.5mm | | ~6.5mm | ~4.5mm | |
| Max Operating temp C* | ~380 °C | | ~550 °C | ~350 °C | ~280 °C |
| Max Load | 3.8W / cm ² | | 6.5W / cm ² | 3.5w / cm ² | 3.5w / cm ² |
| Operating voltage | 230 ~ 250 Volt | | | | 230 V |
| Clamp gap | 6 mm | | | | |
| Performance tolerance | ± 5% | | | | |
| clamping | tension band with adjusting brace | | | tensioning bracket | |
| temperature sensor | type: J + K + pt 100 | | | | separate ring |

CONNECTION OPTIONS / Opțiuni de conexiune



Cable exit options / Optiuni de iesire prin cablu

metal braided

heat resistant fibreglass insulated strand with metal braided sleeve max, operating temperature 250 *C

Cable Terminal

Standard



Option 1



rigid connection
additional protection
crimped cable ends

Option 2



Option 3



Heat resistant subber sleeve
earth protection load
temperature sensor

Options

- different dimensions
- various voltages and wattage
- with holes and/or thermocouple connectors
- with thermocouple

Caldor Industrial Heating Systems

Strada Sfântu Gheorghe, Nr20, L27, F7Județ ilfov,
Pantelimon, CP 077145 România

caldor@caldorheat.com
www.caldor.ro